



**Technical data** RAR10 24D

<b>Torque</b>	10 Nm
<b>Damper size</b>	up to approx. 2.0 m <sup>2</sup>
<b>Control signal</b>	on/off
<b>Power supply</b>	
RAR10 24D & RAR10 24D S2	24 Vac/dc
RAR10 220D & RAR10 220D S2	220 Vac
<b>Power consumptions</b>	
RAR10 24D & RAR10 24D S2	Operation 5.0 W, Stop 2.5 W
RAR10 220D & RAR10 220D S2	Operation 6.5 W, Stop 2.5 W
<b>Frequency</b>	50...60 Hz
<b>For wire sizing</b>	10 VA
<b>Electric level</b>	III (Safety Low Pressure)
<b>Running time</b>	Actuator 100 secs. Spring < 25 secs.
<b>Angle of rotation</b>	90° (95° mechanical)
<b>Angle of rotation limiting</b>	5° to 85° in 5° step
<b>Life cycle</b>	> 60.000 times
<b>Noise</b>	50dB(A) and 62dB(A)
<b>Auxiliary switches</b>	2 SPDT for RAR10 24D S2 and RAR10 220D S2
<b>Connection</b>	1 metres cable
<b>Protection</b>	IP 54
<b>Ambient temp.</b>	-20 to +50°C per IEC 721-3-3
<b>Ambient humidity</b>	5 to 95% rH
<b>Maintenance</b>	Maintenance free
<b>Weight</b>	Around 2.70 kgs
<b>Certification</b>	CE certificate

**Features**

- Spring return
- Torque 10 Nm
- For regulate dampers up to approx. 2.0 m<sup>2</sup>
- Control signal on/off
- For shaft dimensions  
round 10 to 19 mm  
square 10 to 16 mm
- Anti rotation bracket provided for stability
- Adjustable angle of rotation
- Selectable direction of rotation by reversing actuator
- Position indicator
- Energy savings at end stops
- Supplied with 1 meter cable
- Power supply  
24 Vac/dc for RAR10 24 D and RAR10 24D S2  
220 Vac for RAR10 220D and RAR10 220D S2
- Running time  
Actuator 100 secs.  
Spring < 25 secs.
- Auxiliary switches for  
RAR10 24D S2 and RAR10 220D S2

**Ordering**

**Spring return damper actuator**

Type no.	Description
RAR10 24D	10Nm, 24 Vac/dc, on/off
RAR10 220D	10Nm, 220 Vac, on/off
RAR10 24D S2	10Nm, 24 Vac/dc, on/off, with auxiliary switches.
RAR10 220D S2	10Nm, 220 Vac, on/off, with auxiliary switches.

**Description**

VCP spring return damper actuators are suitable for many applications including motorised control of dampers in ventilation systems such Building Automation Systems (BAS), Building Management Systems (BMS) or Heating, Ventilation, and Air Conditioning (HVAC) environments.

Solutions for VCP spring return damper actuators are ideal for control dampers, air handlers, economizer units, VAV terminal units, fan shutters, and unit ventilators.

VCP spring return damper actuators to be direct mount on standard damper shafts to control dampers.

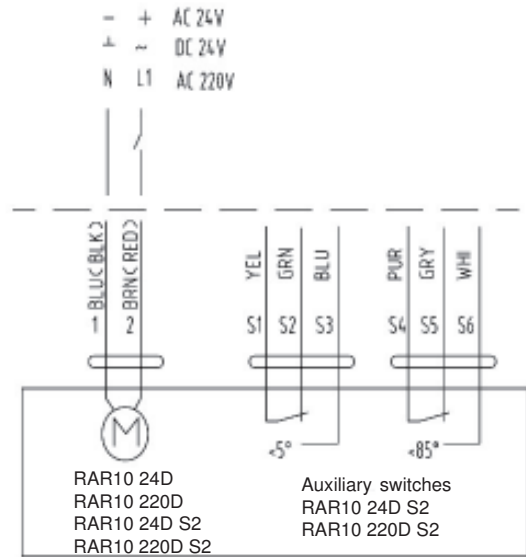
The spring return damper actuators from VCP are supplied with anti rotation bracket provided for stability, position indicator and energy savings at end stops.

The RAR10 24D and RAR10 220D spring return damper actuators with torque 10 Nm and with control signal on/off (two-position) are used to regulate dampers up to approx. 2.0 m<sup>2</sup>.

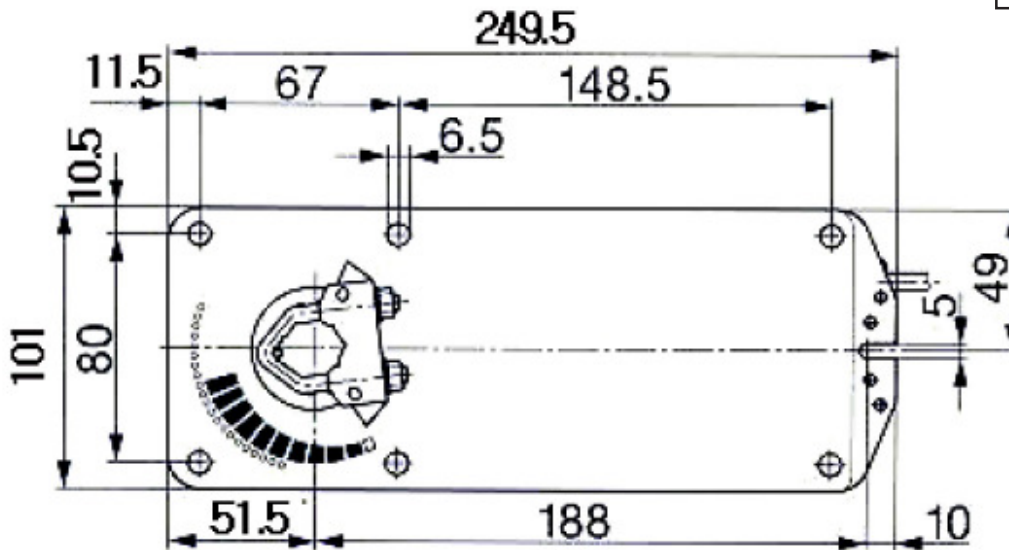
Running time for the RAR10 24D and RAR10 220D spring return damper actuators is 100 seconds for the actuator and < 25 seconds for the spring.

Auxiliary switches equipped on the spring return damper actuators types RAR10 24D S2 and RAR10 220D S2.

**Wiring**



**Dimensions**



∅ (round) 10 to 19 mm  
□ (square) 10 to 16 mm

We reserve the right to make changes in our products without any notice which may effect the accuracy of the information contained in this leaflet.