



RA4

Technical data

Torque	4 Nm
Control signal	on/off or 3-point
Power supply	24 Vac/dc +/-10% for RA4 24D and RA4 24D S2 220 Vac +/-10% or RA4 220D and RA4 220D S2
Auxiliary switch rating	3 (1.5) Amp. 230 V for RA4 24D S2 and RA4 220D S2
Frequency	50/60 Hz
Running time	35 seconds
Power consumptions	
- Operating	2.5 W (24V), 4.0W (220V)
- At the end stops	0.85 W (24V), 3.0W (220V)
Rotation angle	0-90°
Limit angle	5 to 85° (5° increment)
Life cycle	60.000 cycles
Noise level	45dB(A)
Protection class	□
Protection	IP 42
Ambient temperature	-20 to +50°C
Ambient humidity	5 to 95% rH
Storage	-40 to +70°C
Approval	CE certificate
Weight	900 g

Features

- Torque 4 Nm
- For regulate dampers up to approx. 1.0 m²
- Power supply
24 Vac/dc for RA4 24D and RA4 24D S2
220 Vac for RA4 220D and RA4 220D S2
- Control signal on/off or 3-point
- Auxiliary switches on RA4 24D S2 and RA4 220D S2
- Running time 35 seconds
- Position indicator
- Direction of rotation changeable via wiring diagram
- Manual override by push button

Description

VCP non-spring return damper actuators are suitable for many applications including motorised control of dampers in ventilation systems such Building Automation Systems (BAS), Building Management Systems (BMS) or Heating, Ventilation, and Air Conditioning (HVAC) environments.

Solutions for VCP non-spring return damper actuators are ideal for control dampers, air handlers, economizer units, VAV terminal units, fan coil units, fan shutters, and unit ventilators.

VCP non-spring return damper actuators to be direct mount on standard damper shafts to control dampers.

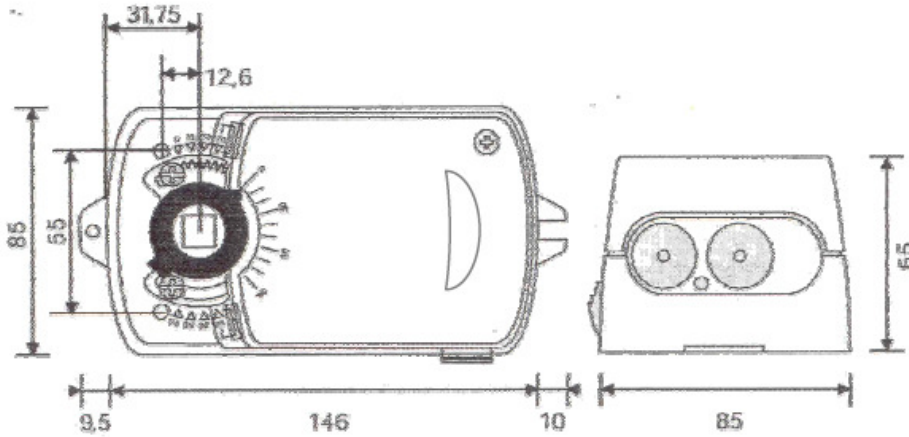
The RA4 24D and RA4 220D non-spring return damper actuators with torque 4 Nm and with control signal on/off (two-position) or 3-point (3-point floating / tri-state) are used to regulate dampers up to approx. 1.0 m².

Auxiliary switch equipped on the non-spring return damper actuators types RA4 24D S1 and RA4 220D S1.

Ordering

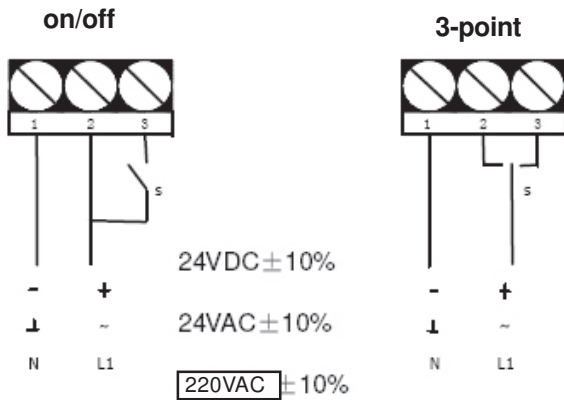
Type no.	Description
RA4 24D	Non-spring return damper actuator, 4 Nm, 24 Vac/dc with control signal on/off or 3-point
RA4 220D	Non-spring return damper actuator, 4 Nm, 220 Vac with control signal on/off or 3-point
RA4 24D S2	Non-spring return damper actuator, 4 Nm, 24 Vac/dc with control signal on/off or 3-point, auxiliary switches
RA4 220D S2	Non-spring return damper actuator, 4 Nm, 220 Vac with control signal on/off or 3-point, auxiliary switches

Dimensions

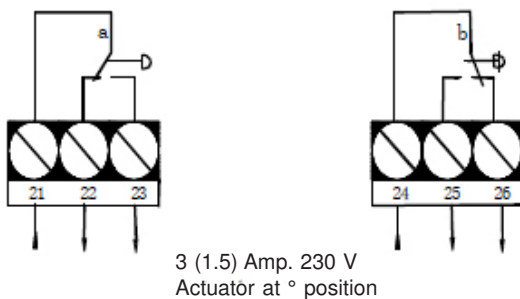


Max size for round shaft is 16 mm in diameter.
Max size for square shaft is 12x12 mm.
Anti-rotation bracket provided for stability.

Wiring



Auxiliary switches



We reserve the right to make changes in our products without any notice which may effect the accuracy of the information contained in this leaflet.