



Features

- Torque 4 Nm
- For regulate dampers up to approx. 1.0 m²
- Power supply 24 Vac/dc
- Control signal
0-10 Vdc for RA4 24V and RA4 24V S2
4-20 mA for RA4 24C and RA4 24V S2
- Feedback signal 0-10 Vdc
- Running time 35 seconds
- Position indicator
- Direction of rotation changeable via switch on pcb
- Manual override by push button

Technical data

Torque	4 Nm
Control signal	0-10 Vdc for RA4 24V and RA4 24V S2 4-20 mA for RA4 24C and RA 4 24C S2
Feedback signal	0-10 Vdc
Auxiliary switch rating	3 (1.5) Amp. 230 V for RA4 24V S2 and RA4 24C S2
Power supply	24 Vac/dc
Frequency	50/60 Hz
Running time	35 seconds
Power consumptions	
- Operating	2.5 W
- At the end stops	0.85 W
Rotation angle	0-90°
Limit angle	5 to 85° (5° increment)
Life cycle	60.000 cycles
Noise level	45dB(A)
Protection class	
Protection	IP 42
Ambient temperature	-20 to +50°C
Ambient humidity	5 to 95% rH
Storage	-40 to +70°C
Approval	CE certificate
Weight	900 g

Description

VCP non-spring return damper actuators are suitable for many applications including motorised control of dampers in ventilation systems such Building Automation Systems (BAS), Building Management Systems (BMS) or Heating, Ventilation, and Air Conditioning (HVAC) environments.

Solutions for VCP non-spring return damper actuators are ideal for control dampers, air handlers, economizer units, VAV terminal units, fan coil units, fan shutters, and unit ventilators.

VCP non-spring return damper actuators to be direct mount on standard damper shafts to control dampers.

The 4 Nm non-spring return damper actuators RA4 24V with control signal 0-10 Vdc and RA4 24C with control signal 4-20 mA are used to regulate dampers up to approx. 1.0 m².

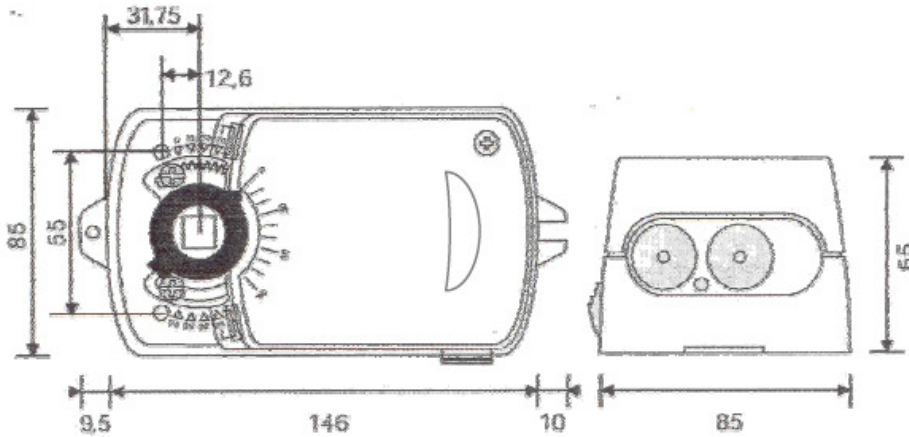
Auxiliary switch equipped on the non-spring return damper actuators type RA4 24V S2 and RA4 24C S2.

Feedback signal is standard on all the 4 Nm non-spring return damper actuators RA4-series with analogue control signal.

Ordering

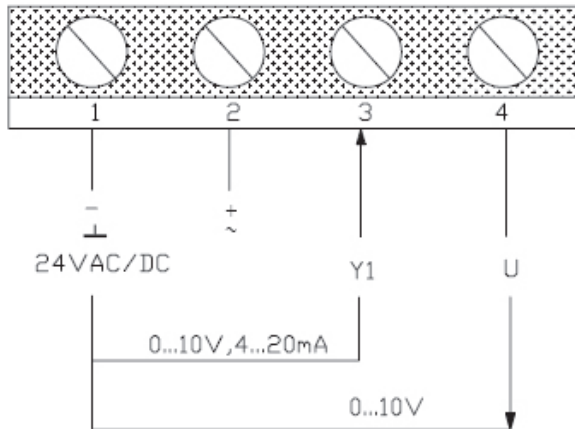
Type no.	Description
RA4 24V	Non-spring return damper actuator, 4 Nm, 24 Vac/dc with control signal 0-10 Vdc
RA4 24C	Non-spring return damper actuator, 4 Nm, 24 Vac/dc with control signal 4-20 mA
RA4 24V S2	Non-spring return damper actuator, 4 Nm, 24 Vac/dc with control signal 0-10 Vdc, auxiliary switches
RA4 24C S2	Non-spring return damper actuator, 4 Nm, 24 Vac/dc with control signal 4-20 mA, auxiliary switches

Dimensions

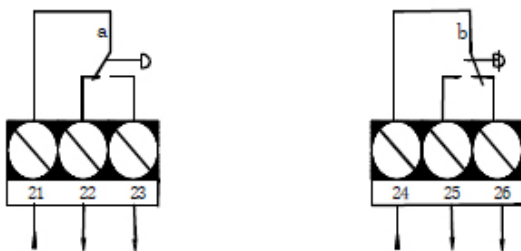


Max size for round shaft is 16 mm in diameter.
Max size for square shaft is 12x12 mm.
Anti-rotation bracket provided for stability.

Wiring



Auxiliary switches



3 (1.5) Amp. 230 V
Actuator at ° position

We reserve the right to make changes in our products without any notice which may effect the accuracy of the information contained in this leaflet.