



HRS 1ES



HRS 1CS

Features

- Humidifying or dehumidifying in HVAC system, selectable via terminal wiring on pcb
- Setting range 25 to 95% r.H.
- Set point
 - Exposed set point for HRS 1ES
 - Concealed set point for HRS 1CS
- Power supply 24 Vac/dc

Application/Description

The mechanical room hygrostat HRS 1-series is designed for the on/off control of humidification and dehumidification equipment, or the initiation of alarms or override controls.

Mechanical room hygrostat with switching output (with single-pole microswitch as two-position controller with humidity sensor) working without external voltage, with humidity measuring element made of stabilized synthetic gauze, optional with setpoint setter for switchpoint adjustment (external or internal setting) in an elegant enclosure made of plastic, with snap-on lid, base with 4-hole attachment for installation on vertically or horizontally installed in-wall flush boxes, with predetermined breaking point for on-wall cable entry.

HRS is used for controlling and monitoring the relative humidity in office and residential rooms, baths, labs, control cabinets, computer rooms, etc., as minimum or maximum hygrostat. It is applied in dust-free, pollutantfree, non-aggressive air.

Ordering

Type no.	Description
HRS 1ES	Room hygrostat, 1 step, exposed set point
HRS 1CS	Room hygrostat, 1 step, concealed set point

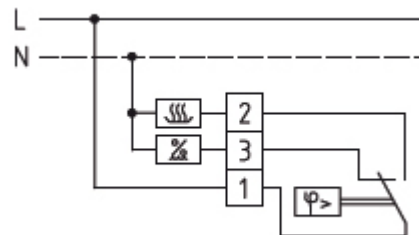
Technical data

Power supply	24 Vac/dc
Setting range	25 to 95% r.H.
Switching capacity	dehumidifying, 5 (0.2) A min. 100 mA humidifying, 3 (0.2) A, min. 100 mA
Contact	1 changeover contact, (potential free)
Sensing element	plastic fibres
Operating difference	approx. 4% r.H.
Tolerance	max. 3% r.H.
Enclosure temperature	0°C to +40°C
Enclosure	plastic, material ABS colour pure white (similar RAL 9010)
Housing dms	98x98x39 mm
Electrical connection	0.14 to 2.5mm ² , via terminal screw on plate
Protection class	II (according to EN 60730)
Protection type	IP30 (according to IEC 529)
Standards	CE conformity EMC directive 2004 / 108 / EC Low-voltage directive 73 / 23 / EWG

Function

Humidifying: connect terminal 1 and 3
Dehumidifying: connect terminal 1 and 2

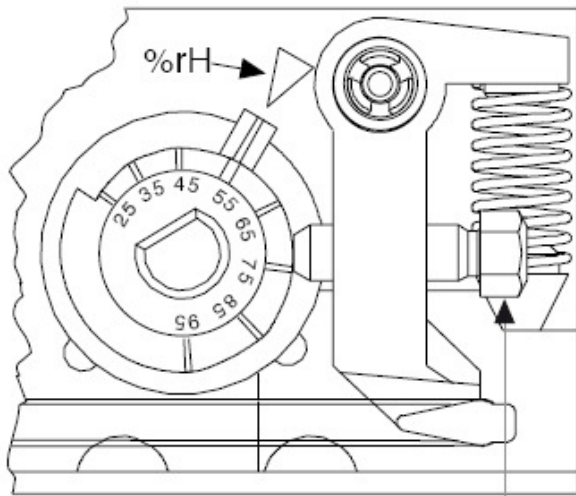
Connection diagram



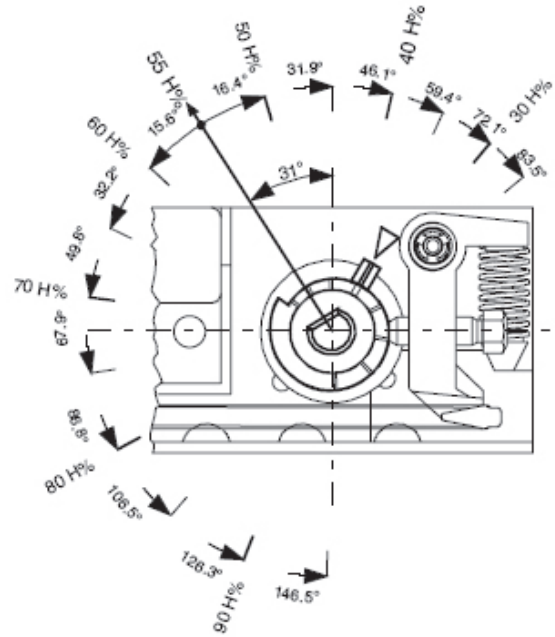
To open the enclosure

Set a screwdriver (2.0) the groove at centre, press down, and lift up the bottom frame slightly. Pull top cover forward and hold it.

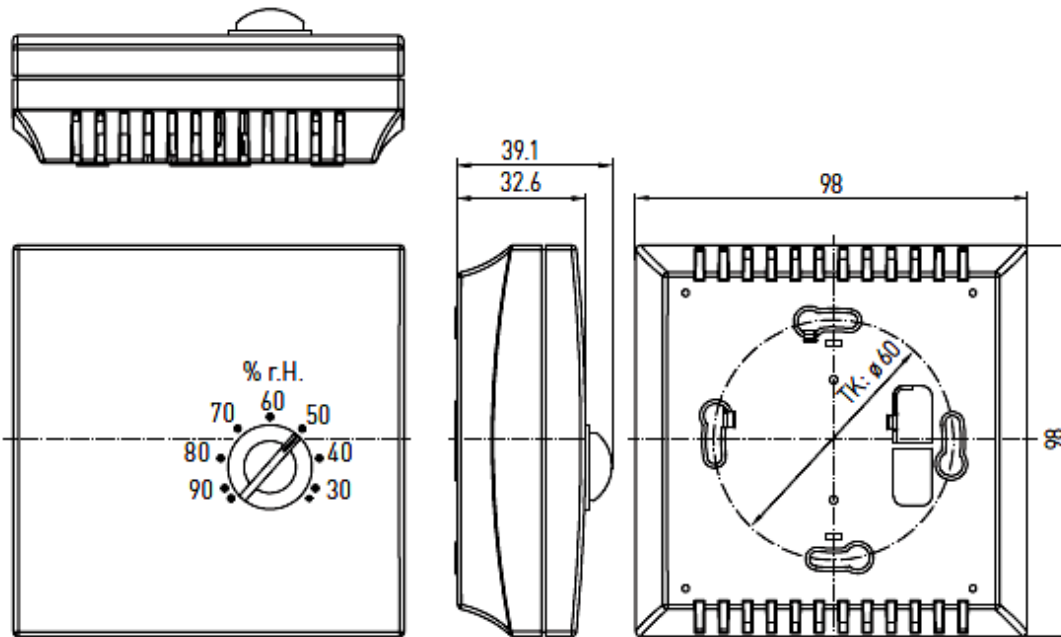
Setting humidity



Calibrating screw
(varnish-locked)



Dimensions (mm)



We reserve the right to make changes in our products without any notice which may effect the accuracy of the information contained in this leaflet.