



MRT 31A

Features

- Fan speed switch
- 3 speed (HIGH-MED-LOW)
- HEAT-OFF-COOL switch
- Setpoint knob with range +10 to +30°C
- Power supply 220 Vac
- Mechanical control type
- Inflated film sensor
- Temperature control manner:
Mechanical (Aerator Bilious)
- Temperature control precision +/-1°C
- Max current:<2A
- Store temperature: -20 to 55°C,
relative humidity <92%

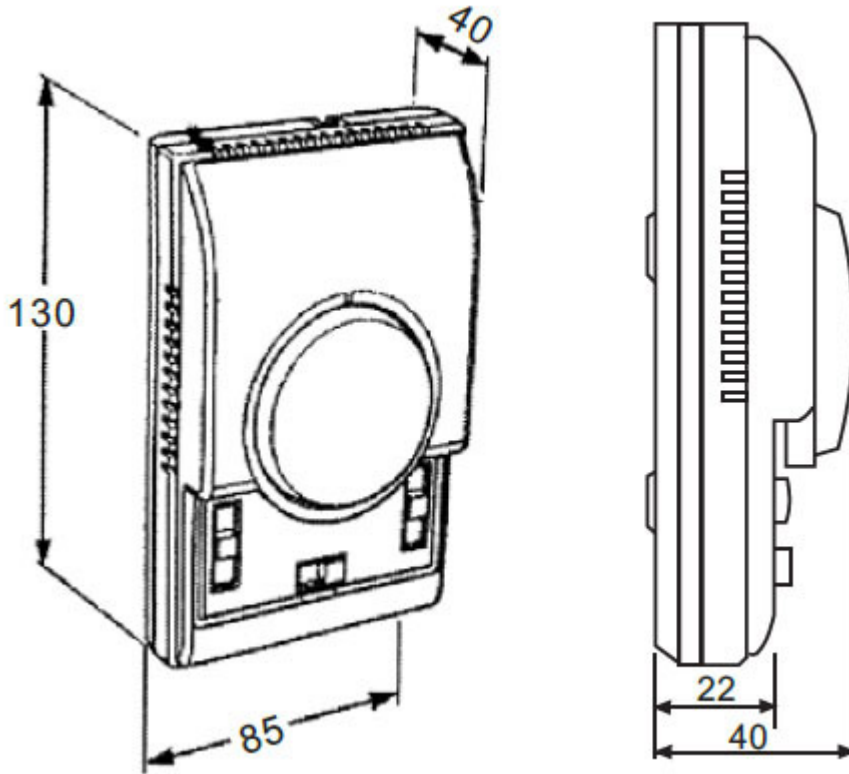
Description

MRT 31A is a mechanical thermostat, thermostat apply to business and household buildings, control the heating, cooling air-condition fan coil and valves, compare the set temperature with logic circuits and its measurement of temperature, when temperature relative difference more than 1 °C, the fans or motorized valve runs automatically, when the ambient temperature reaches the set temperature, fan or motorized valve closes automatically.

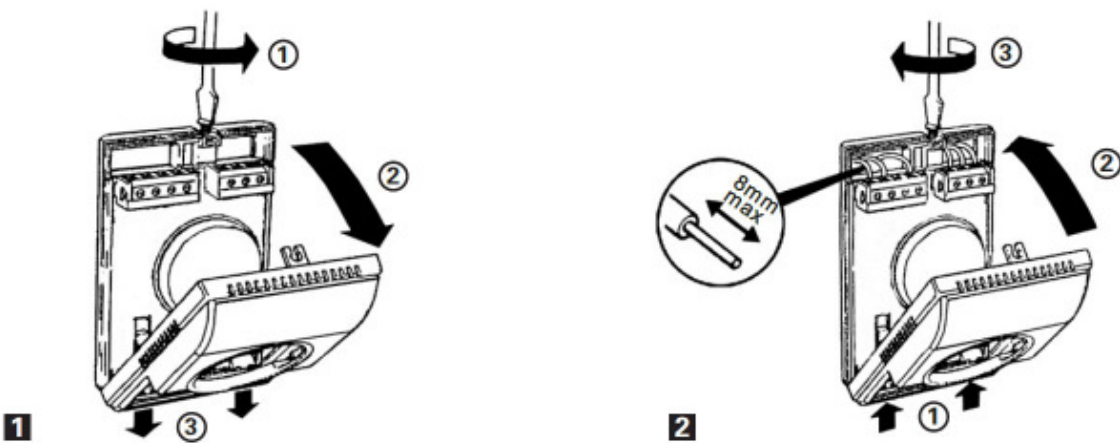
Ordering

Type no.	Description
MRT 31A	Room Thermostat 3-speed High-Med-Low, Heat-Off-Cool

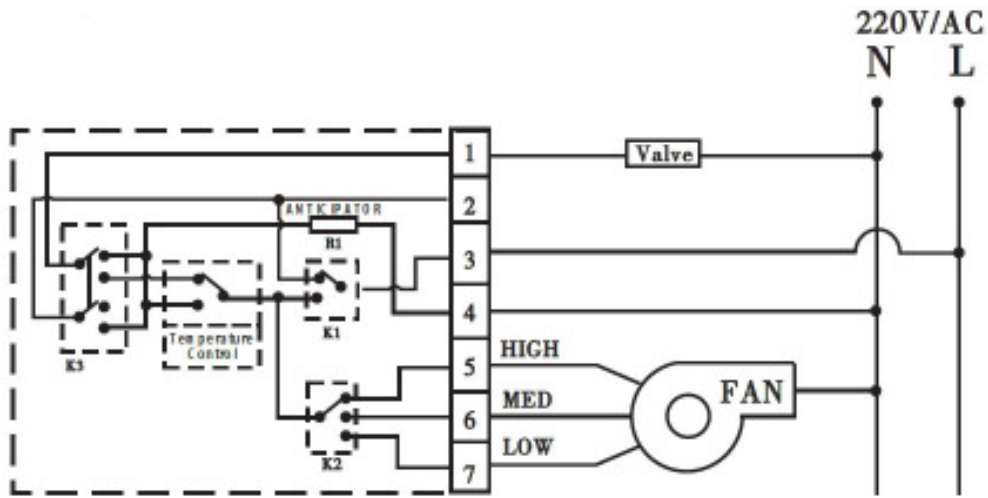
Dimensions



Installation

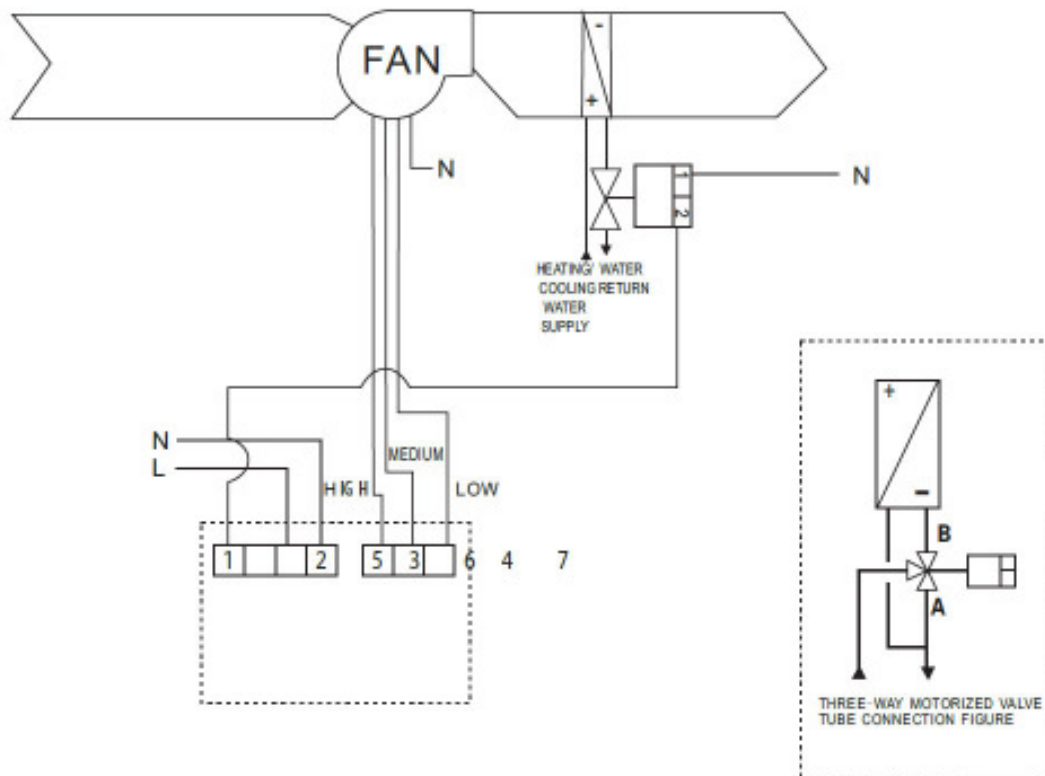


Wiring



Temperature reaches to the set-point, motorized valve turns off, fan coil still works

Typical application



We reserve the right to make changes in our products without any notice which may effect the accuracy of the information contained in this leaflet.